

D.T.MUX NANO™



From 64GB to 2TB
Solid State Drive



Reference# **D.T.MUX-NANO**



The D.T.MUX Nano Airborne Data Recorder, is a powerful miniature unit (Available in two form factor) with recording capacity on Solid State Disk (SSD) from 64GB to 2TB, support Military Grade Encryption/Erasure and Physical Destruction. IRIG 106 Chapter 10 Compliant.

An ultra-compact and standalone airborne data logging unit, with a quick access removable media of solid state flash memory, who permit an easy data retrieval at the exploitation center. D.T.MUX Nano can be built to meet your customized configuration. This device is particularly adapted to mission use, like surveillance and reconnaissance activity

Applications

- Mission Recording
- Aircraft pilot training and mission debriefing
- Reconnaissance and surveillance
- For Fixed-wing, Rotary-wing and UAV

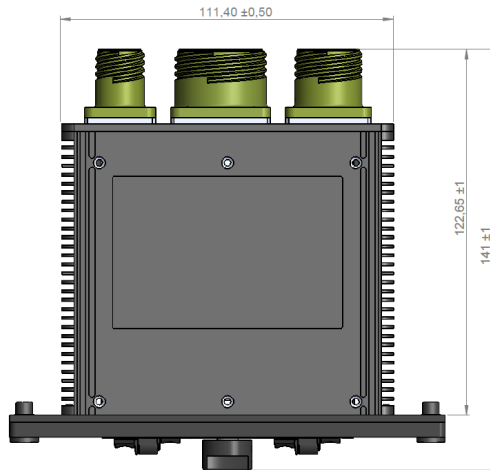
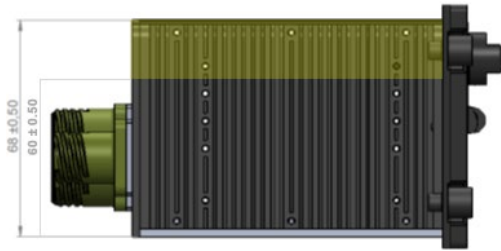
Ultra-compact recorder, with low weight of 1Kg (2.2lbs) it allows you to record a lot of parameters in a reduced volume. This unit is capable to record in same time Analog/Digital bus, Video/Audio data.

These parameters can be multi video channels, until Ultra HD 4K 60fps Resolution/ full HD 1080/720p/I or lower (MJPEG 2000/H.264/H.265 compression) and MIL-STD 1553, ARINC 429/717/573, PCM, CAN Bus, Gigabit Ethernet, RS 232/422 and Analogic channels with signal conditioning (Strain gauge, ICP, Thermocouple...)



MECHANICAL

	Specification	Remark
Size (S)	141 x 111.4 x 68 mm	Standard
Size (L)	141 x 111.4 x 60 mm	Low profile
Size (R)	141 x 111.4 x 80 mm	Rugged
Weight	≈ 1Kg	≈ 2.2lbs
Connectors	MIL-DTL-38999	Serie III
Mounting	DZUS or Fix plate	Customizable



ELECTRICAL

Input Voltage	28Vdc (16 to 36Vdc)
Power consumption	≈ 12 to 25 watts (28Vdc)
Power Interruption	≈ 60 to 100ms
Standard	MIL-STD-704F

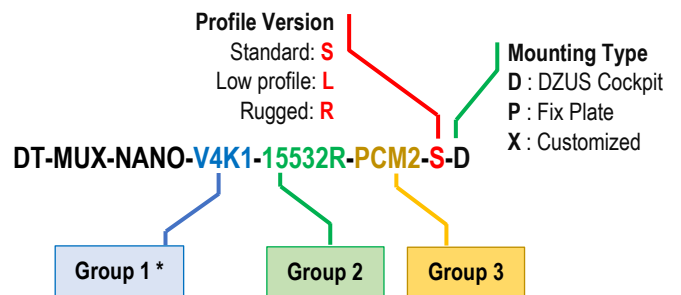
ENVIRONMENTAL

	Specification	Remark
Temperature	-40°C to 71°C	Operating
	-55°C to 95°C	Storage
Cooling	Passive	Convection
Humidity	95%	Non-Cond
Vibration	5Hz to 2KHz	6.29 g RMS
Shocks	60g 11ms	Operating
Acceleration	20g linear 3 axis	Operating
Altitude	+ 60,000 ft	Operating
Decompression	420Kpa/minute	Operating
MTBF	> 50,000 hours	Computed
EMI	MIL-STD-461	Rev F

STANDARD FUNCTIONALITY

	Specification
Gigabit Ethernet	Configuration/Control
Time synch	Data download and Streaming
Audio	GPS Antenna input / Irig B / PTP v2
Recording	One included
COM port	IRIG 106 Chapter 10 / DTMUX format
LED	RS-232 Configuration/Maintenance
	Status Led / Status output

D.T.MUX NANO CODE COMPOSITION



SELECTABLE CHANNELS

TYPE	CODE	Max Channels**		
MIL-STD-1553	1553	2R (4)	2R (4)	0
ETHERNET (GbE)	ETH	2	2	0
ARINC 429	A429	12	12	8
ARINC 717	A717	12	12	8
ARINC 573	A573	12	12	8
PCM	PCM	4	4	4
RS232/422	RS	12	12	8
CAN	CAN	8	8	8
DISCRETE	DS	24	24	12
ANALOG	LOG	16	16	8
VIDEO SD	VSD	2	2	2
VIDEO HD	VHD	2	2	0
VIDEO 4K	V4K	1	1	0

System can be design following your special requirement.

*Low profile version only support "Group 1"

**You can select number of channel desired from 0 to max value.

STORAGE SSD CARTRIDGE

SSD-256-DE-QE-0-N



Storage Capacity	32 / 64 / 128 / 256 / 512 / 1TB / 2TB
Data Encryption	DE / 0*
Quick Erase	QE / 0*
Physical Destruction	PD / 0*

*0= None

SSD for configuration is also available

PN# SSD-CONF-N